

Xpelair® RX Roof Fan Range



RX6 with axial blade

- High performance extract only axial flow ventilation unit
- Operated by remote On/Off switch (not supplied)
- Suitable for single and sealed double glazed windows and panels up to 25mm
- Built in electrothermal shutter cassette
- Passive trickle vent option for background ventilation with fan Off
- Easy clean high gloss ABS housing
- Roof cowl assembly in UV stabilised material provides weather protection at all roof angles
- Unique metal ladderstrip/screw connection to external grille for security and weathertight seal



Single Fan Controller FR22/30 Ref. 21868AW

- For use with RX9 and RX12 fans only
- On/Off control with neon indicator. Used to select between high and low speed, intake and extract
- - prox 8" (w) x 3 1/2" (h) x 1 3/4" (d)



Type: **Commercial duty/ suitable for residential use**

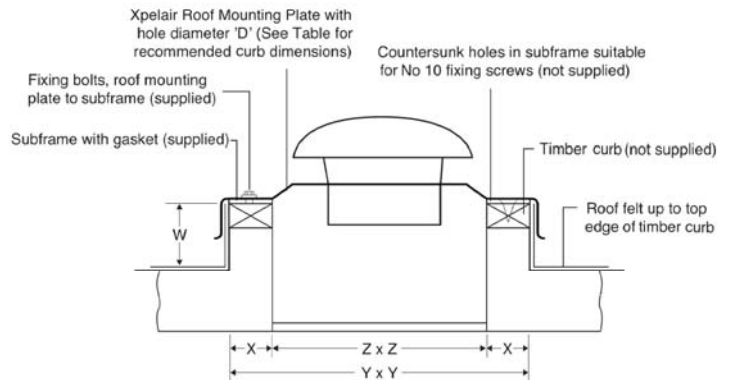
Application: **Pubs, restaurants, offices, kitchens, sunrooms, schools and pool enclosures**

RX9 with sickle blade

RX12 with sickle blade

- High performance intake/extract axial flow ventilation unit
- Balanced external rotor motor and sickle bladed impeller for quiet efficiency
- Choice of optional controllers
- Tamper-proof internal connection safety plug and socket

Roof Mounting Plate XRP for flat roof applications



Dimensions* (Inches)

| Model | W _(min) | X | Y | Z | D _(hole) |
|-------|--------------------|---|-------------------|-------------------|---------------------|
| RX6 | 6 | 3 | 20 ^{3/4} | 14 ^{3/4} | 7 ^{1/4} |
| RX9 | 6 | 3 | 28 | 22 | 10 ^{1/4} |
| RX12 | 6 | 3 | 28 | 22 | 12 ^{3/4} |

* +/- 1/8" tolerance

For further information about CSA STANDARDS please visit:
<http://www.csa.ca/cm/ca/en/about-csa>

July 2011

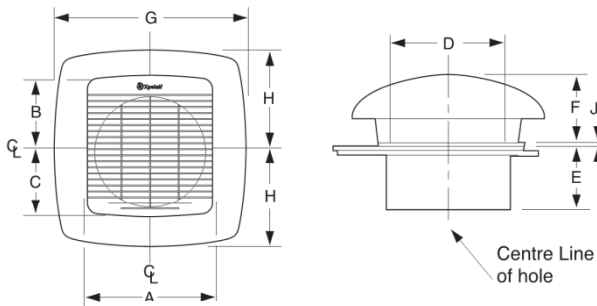
www.xpelairusa.com

Xpelair® RX Roof Fan Range

| Model | | RX6 | RX9 | RX12 |
|------------------------------------|-------------|-------------------------------|--------------------------------|--------------------------------|
| Exhaust Flow Rate @120V 60Hz (FID) | | | | |
| High speed CFM | | 163 | 478 | 895 |
| Low speed CFM | | - | 352 | 544 |
| Exhaust Sound Level | High Sones* | 1.3 | 2.0 | 3.4 |
| (with use of FR22 only) | Low Sones* | - | 1.3 | 2.0 |
| Nominal Speeds | High RPM | 1,533 | 1,462 | 1,191 |
| | Low RPM | - | 1,091 | 905 |
| Maximum Electrical Power | (Watts) | 24 | 45 | 101 |
| Rough-in Hole Diameter | (inches) | 7 ¹ / ₄ | 10 ¹ / ₄ | 12 ³ / ₄ |
| Product Weight | (lbs) | 8 | 10 | 17 |

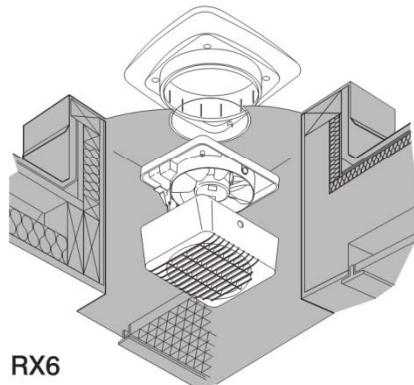
*Sound levels were converted from dBA measured in a semi anechoic chamber using a microphone at 1m and 45 degrees from the centre of the front of the unit, in the Xpelair sound laboratory.

RX Range

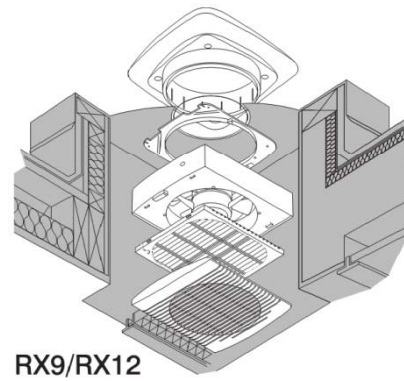


| Dimensions* (Inches) | | | | | | | | | | |
|----------------------|--------------------------------|-------------------------------|-------------------------------|--------------------------------|-------------------------------|-------------------------------|--------------------------------|-------------------------------|-------------------------------|--------------------------------|
| Model | A | B | C | D | E | F | G | H | J | |
| RX6 | 8 ¹ / ₄ | 4 ³ / ₄ | 4 ¹ / ₄ | 7 ¹ / ₄ | 4 ¹ / ₂ | 5 | 12 ¹ / ₂ | 6 ¹ / ₄ | 1 ¹ / ₄ | -1 ¹ / ₄ |
| RX9 | 11 ¹ / ₄ | 6 ¹ / ₂ | 5 ³ / ₄ | 10 | 4 ¹ / ₂ | 6 ¹ / ₄ | 17 ¹ / ₄ | 6 ¹ / ₄ | 1 ¹ / ₄ | -1 ¹ / ₄ |
| RX12 | 15 | 8 ¹ / ₂ | 7 ¹ / ₂ | 12 ³ / ₄ | 6 ¹ / ₄ | 7 ³ / ₄ | 22 | 11 | 1 ¹ / ₄ | -1 ¹ / ₄ |

*+/- 1/8" tolerance



RX6
Curb Mounting



RX9/RX12
Curb Mounting